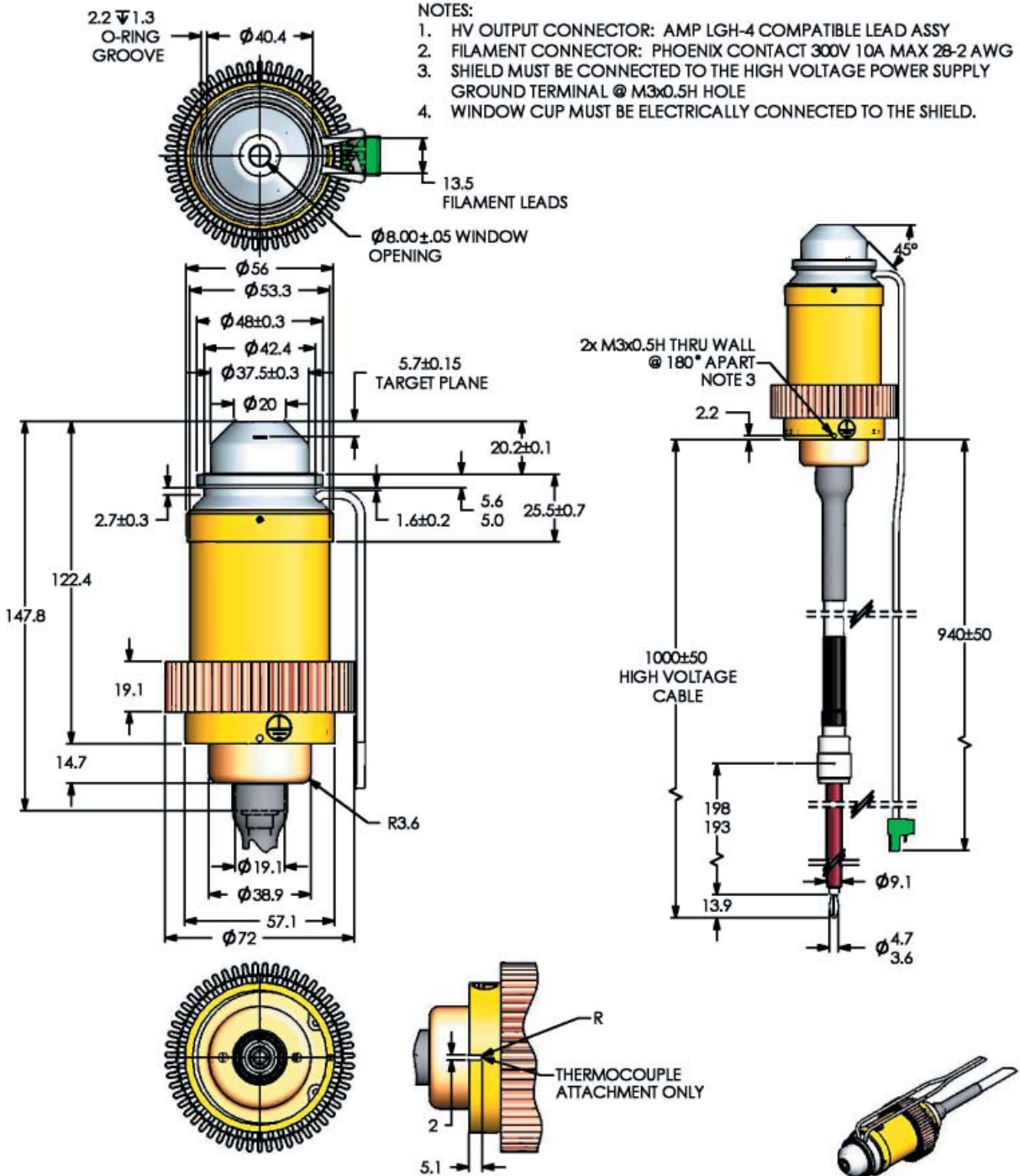


VF-50J



Tube Outline Drawing

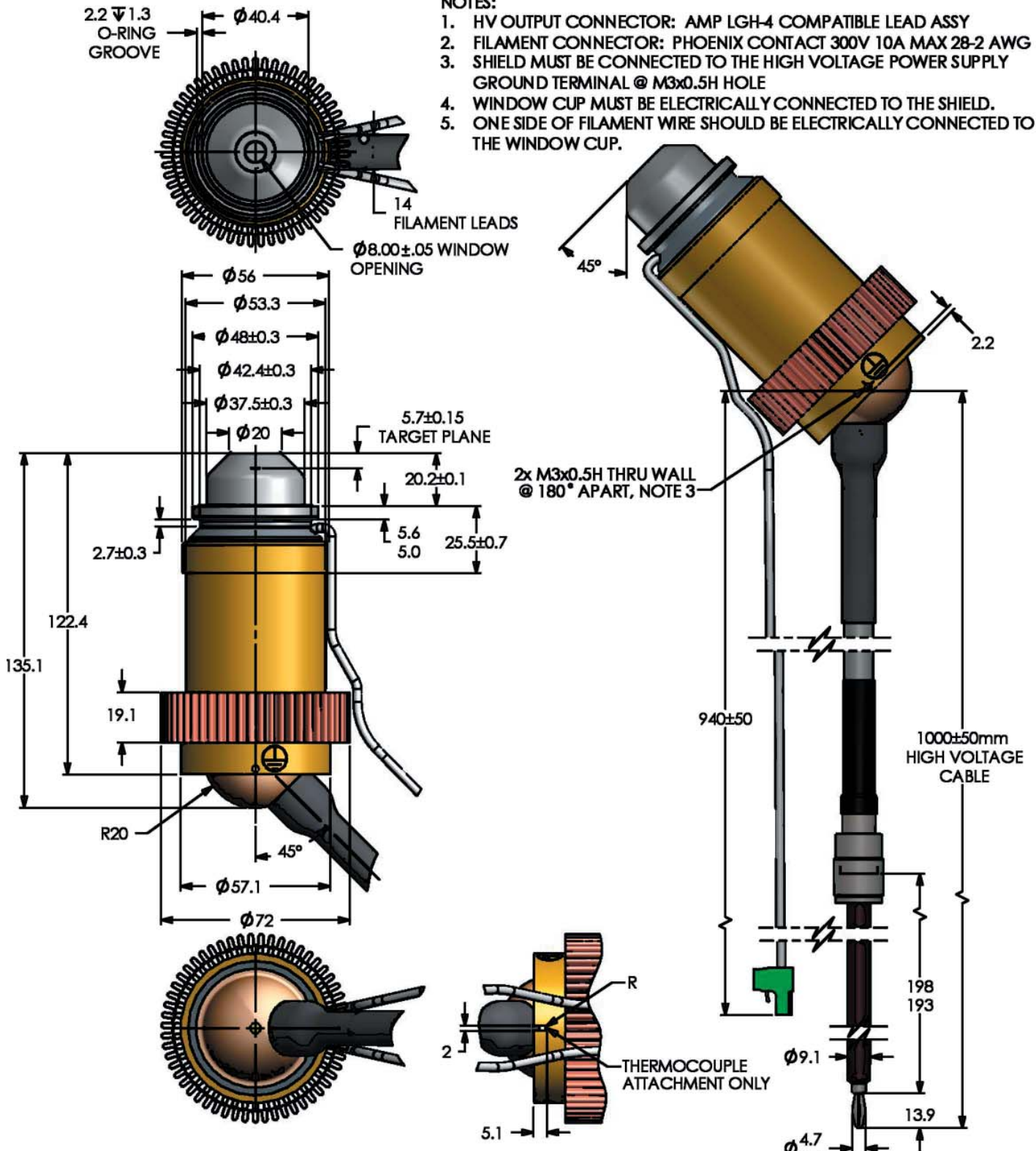
VF-50J - 45°

Dimensions are for reference only

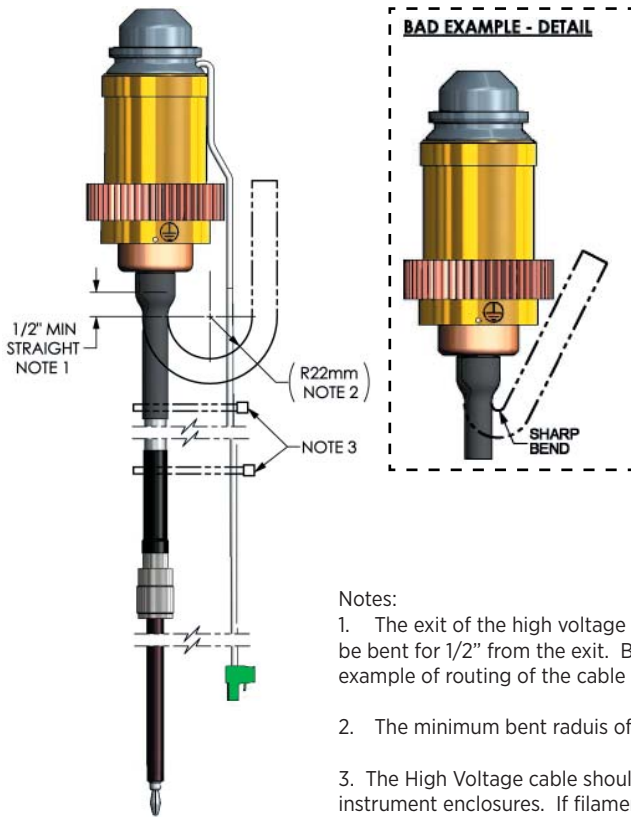
Inches [mm]

NOTES:

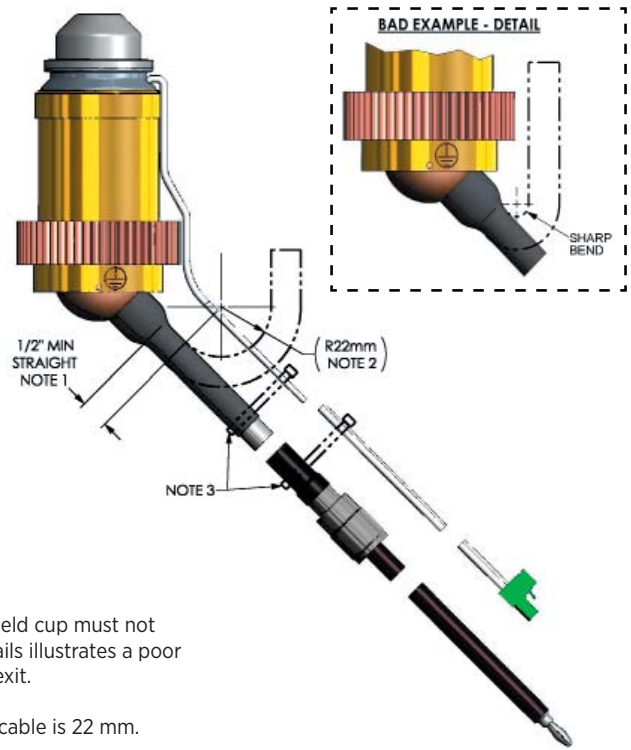
1. HV OUTPUT CONNECTOR: AMP LGH-4 COMPATIBLE LEAD ASSY
2. FILAMENT CONNECTOR: PHOENIX CONTACT 300V 10A MAX 28-2 AWG
3. SHIELD MUST BE CONNECTED TO THE HIGH VOLTAGE POWER SUPPLY GROUND TERMINAL @ M3x0.5H HOLE
4. WINDOW CUP MUST BE ELECTRICALLY CONNECTED TO THE SHIELD.
5. ONE SIDE OF FILAMENT WIRE SHOULD BE ELECTRICALLY CONNECTED TO THE WINDOW CUP.



Cable Routing Instructions



Cable Routing Instructions for 45 Degree



Notes:

1. The exit of the high voltage cable from the shield cup must not be bent for 1/2" from the exit. Bad example - details illustrates a poor example of routing of the cable at the shield cup exit.
2. The minimum bent radius of the high voltage cable is 22 mm.
3. The High Voltage cable should not be compressed by cable tie or instrument enclosures. If filament wires need to be routed with the high voltage cable, do not use the cable tie guns to install cable ties. Finger tightening the cable tie is recommended.

Warning

Beryllium windows transmit a very high level of long wavelength X-radiation, which can injure human tissue. Injury may occur from even very short exposures to the primary X-ray beam. Follow all precautions necessary to avoid radiation exposure to humans.

The radiation dose rate cannot be accurately measured with conventional radiation measurement instruments. Radiation intensity in each installation will vary, and calibration must include the effects of long wavelength X-radiation.

Fumes from beryllium metal (or its compounds) as well as dust can be hazardous if inhaled. During use, corrosion products may occur on the beryllium window, but these should not be scraped off, machined, or otherwise removed. Tube unit disposal should conform to federal, state, and local regulations governing beryllium.