

**INDUSTRIAL X-RAY TUBE
I-2123**

X-ray Tube for Industrial Use

- ◆ The X-ray tube I-2123, which has mini-focus 0.1, is designed for non destructive X-ray inspection.
- ◆ This tube can be used with Max. 60 kV constant potential circuit of cathode grounded.

General Data

Electrical:

Circuit:

High Voltage Generator	Constant Potential High-Voltage Generator
Grounding	Cathode and X-ray Port Grounded
Nominal X-ray Tube Voltage	60 kV
Nominal Focal Spot Value	0.1 (Resolution Method) (Cathode Bias: -20V)

Mechanical:

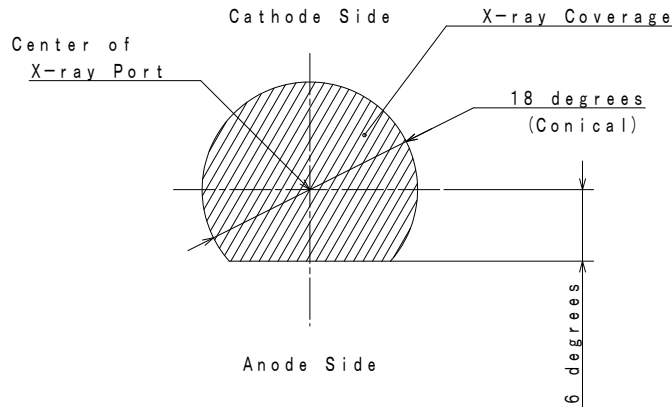
Dimensions:

Overall Length	96 mm
Maximum Diameter	φ 30.5mm
Target:	
Angle	10 degrees
Material	Tungsten
Inherent Filtration	Be 0.2 mm

★The information contained herein is presented only as a guide for the application of our products. No responsibility is assumed by Canon Electron Tubes & Devices Co., Ltd. (CETD) for any infringements of patents or other rights of the third parties which may result from its use.
No license is granted by implication or otherwise under any patent or patent rights of CETD or others.
★The information contained herein may be changed without prior notice. It is therefore, advisable to contact to CETD before processing with the design of equipment incorporating this product.

X-ray Coverage:

Normal to Tube Axis Direction	18 degrees
Cathode Side	9 degrees
Anode Side	6 degrees



Weight (Approx.)	Approx. 200 g
Insulating Medium	Insulation Oil
Cooling Method	Oil immersed (60°C Max.) and convection oil cooling.
Tube Holding	Holding the mounting flange with 8-M3 screws

Absolute Maximum and Minimum Ratings
(At any time, these values must not be exceeded.)

Maximum X-ray Tube Voltage	60 kV
Minimum X-ray Tube Voltage	10 kV
Maximum X-ray Tube Current	1.2 mA
Maximum Filament Current	2.1 A
Filament Frequency Limit	DC or AC (Sine wave) 0 ~ 20 kHz
Maximum Input Power (Continuously)	50 W
Maximum Operating Temperature (Oil Temperature)	60 °C

Environmental Limits

Operating Limits (in dielectric oil):

Oil Temperature	10 ~ 60 °C
Oil pressure	70 ~ 140 kPa

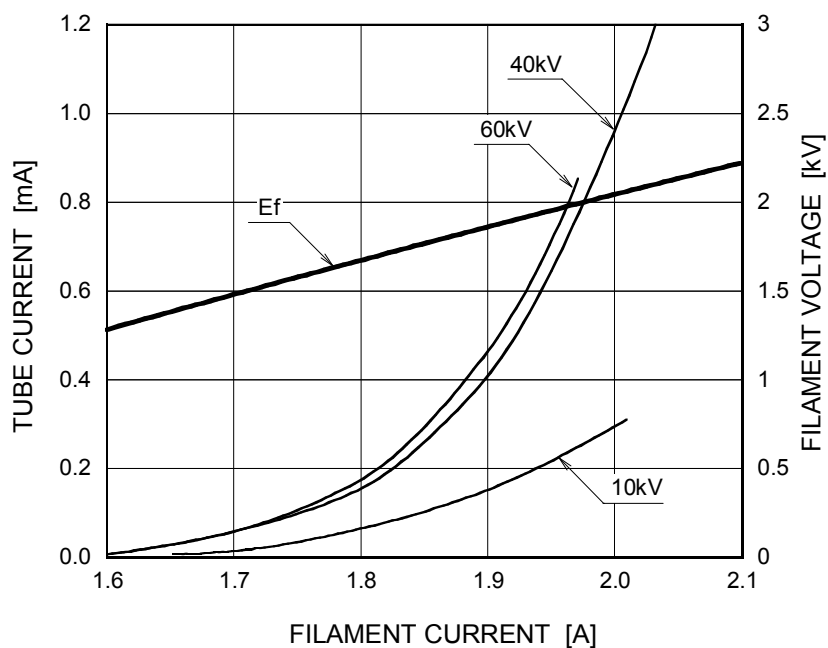
Shipping and Storage Limits:

Temperature	-40 ~ 70 °C
Humidity	10 ~ 90 %
	(No condensation)
Atmospheric Pressure	50 ~ 106 kPa

Emission & Filament Characteristics

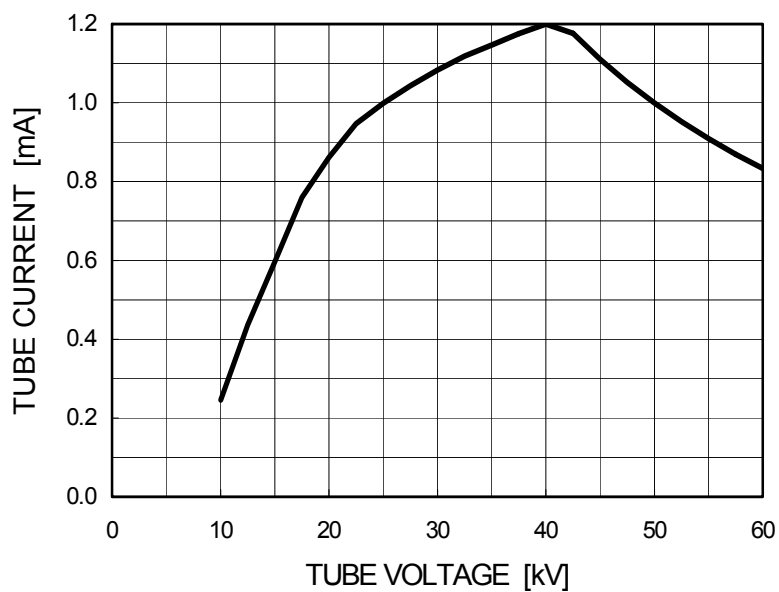
Constant Potential High-Voltage Generator

Nominal Focal Spot Value: 0.1



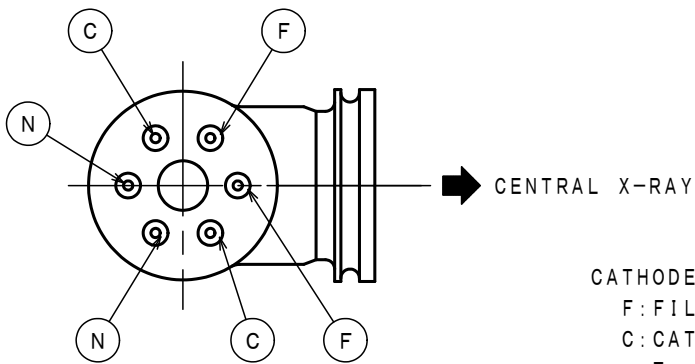
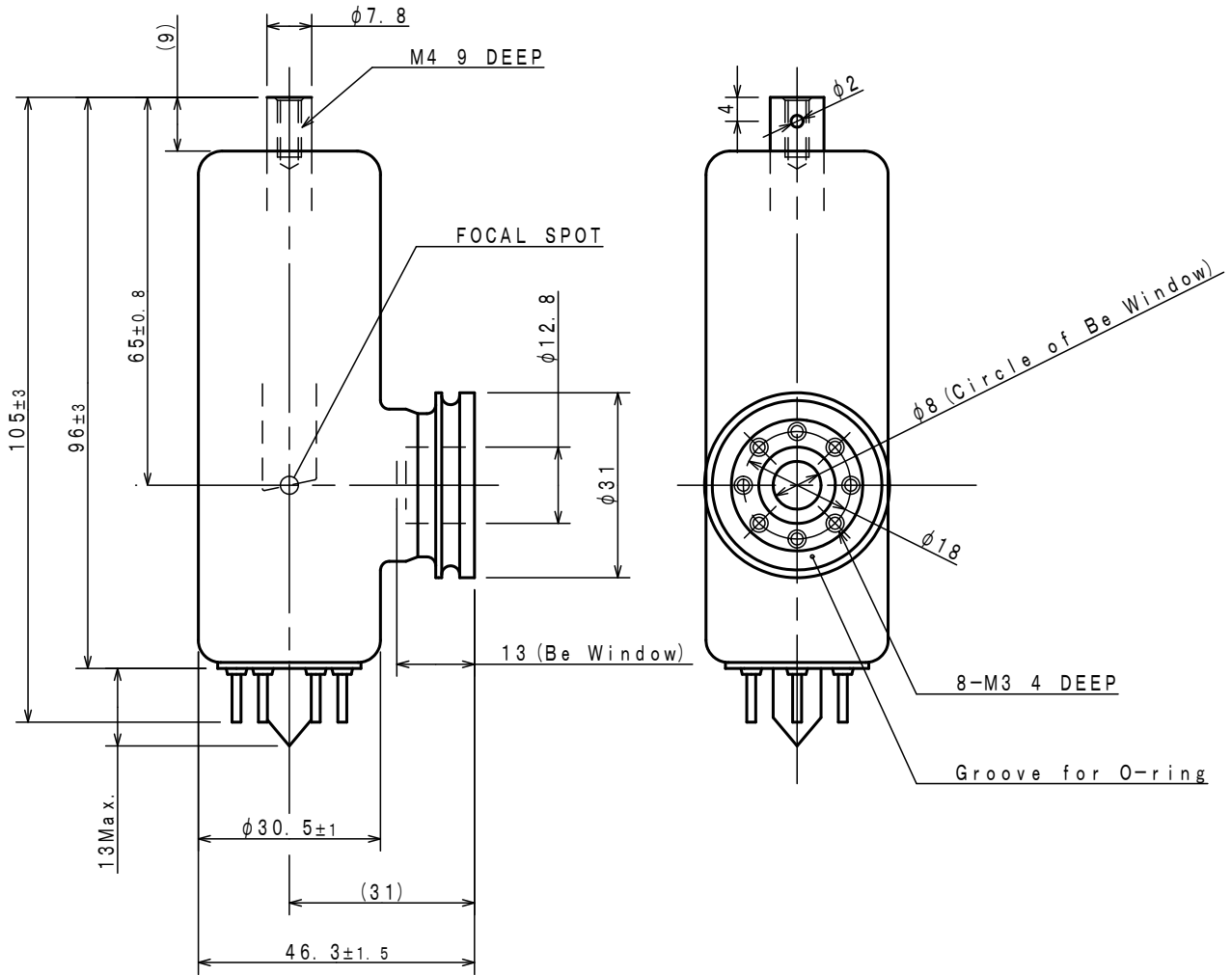
Note: This graph indicate typical characteristics.

Maximum Input (continuous)



Dimensional Outline

Unit: mm



CATHODE TERMINALS

F: FILAMENT

C: CATHODE

Terminal "C" are connected mutually inside the tube.

N: NOT FOR USE

 **CANON ELECTRON TUBES & DEVICES CO., LTD.**
Marketing Engineering Group, Sales Department
1385, Shimoishigami, Otawara-shi, Tochigi 324-8550, Japan
Tel: +81-287-26-6666 Fax: +81-287-26-6060
<https://etd.canon>

·The head office of Canon Electron Tubes & Devices Co., Ltd. has been certified to meet all the requirements of Environmental Management System ISO14001.
·Canon Electron Tubes & Devices Co., Ltd. has been certified to meet all the requirements of Quality Management Systems ISO9001 and ISO13485.
Product scope is referred to the following URL. <https://etd.canon/eng/company/quality.htm>.